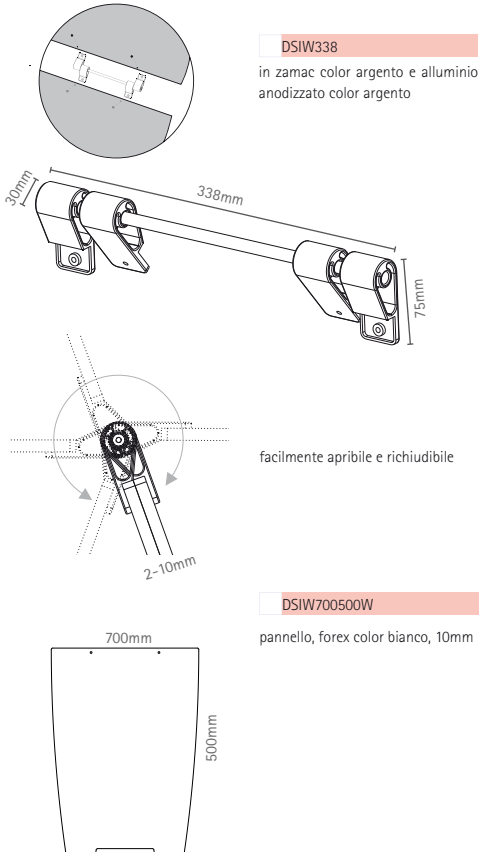
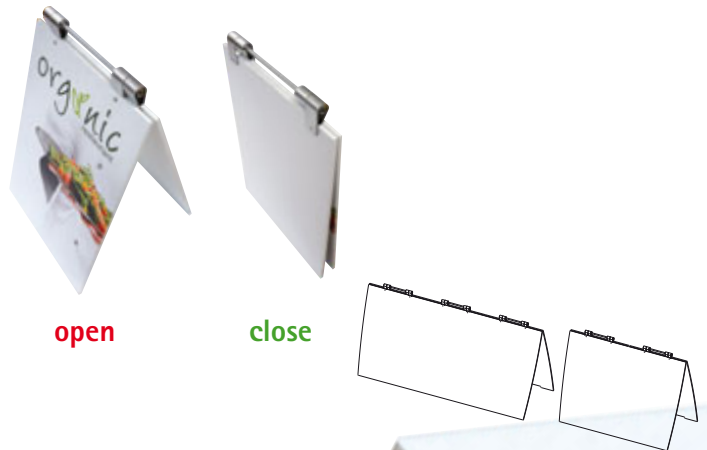




signwalk

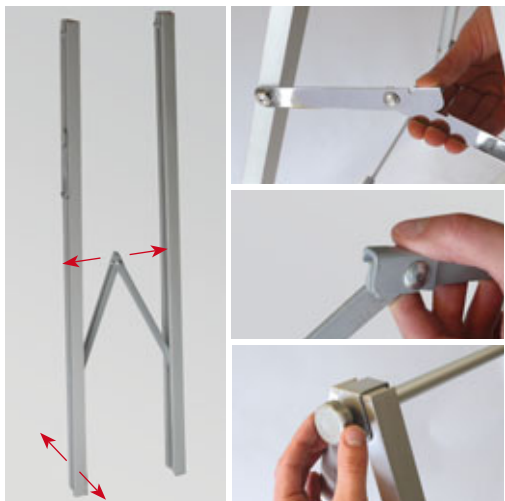


EN with signwalk you are mobile: the clever design that turns 2 panels of any material into a display for in- and outdoor. the connector bar is a convenient carrying handle. for transport and storage just fold signwalk with the images inside and it will be protected against scratches during transport and storage. we offer you the structure and matching white forex panels as well.



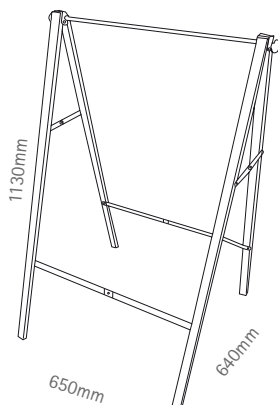
signwalk

1	DSIW338	signwalk, panel excl., 1pc
2	DSIW700500W	panel white 700x500mm, 1pc



passboard

EN passboard folds up in no time at all to a walkway display, simply insert the panel and here you go. an economic and mobile application for in- and outdoor.



DPAB1130
struttura pieghevole in alluminio
anodizzato color argento



inserire il pannello dal alto



panel size 605x843x6mm
visible graphic 592x842mm

passboard



n° articolo | artikelnr. | product nr.

1 DPAB1130

passboard, panel excl., 1pc

PS Display

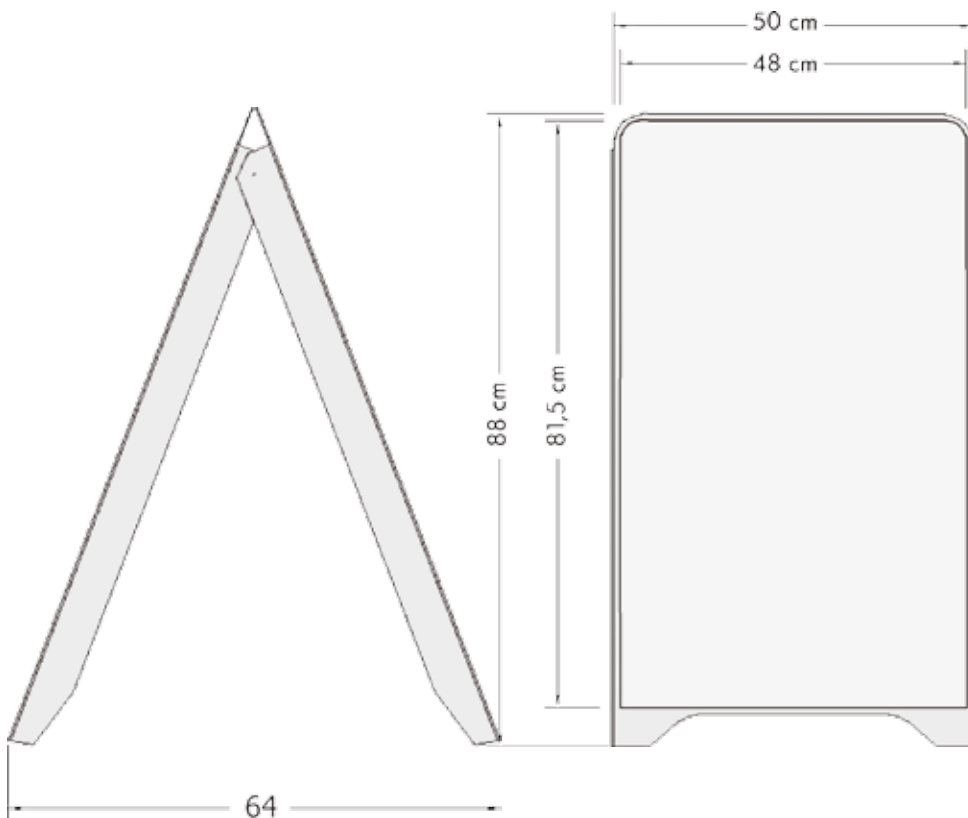
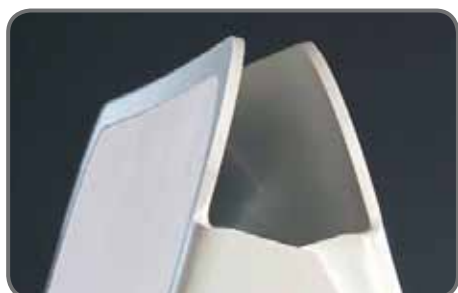
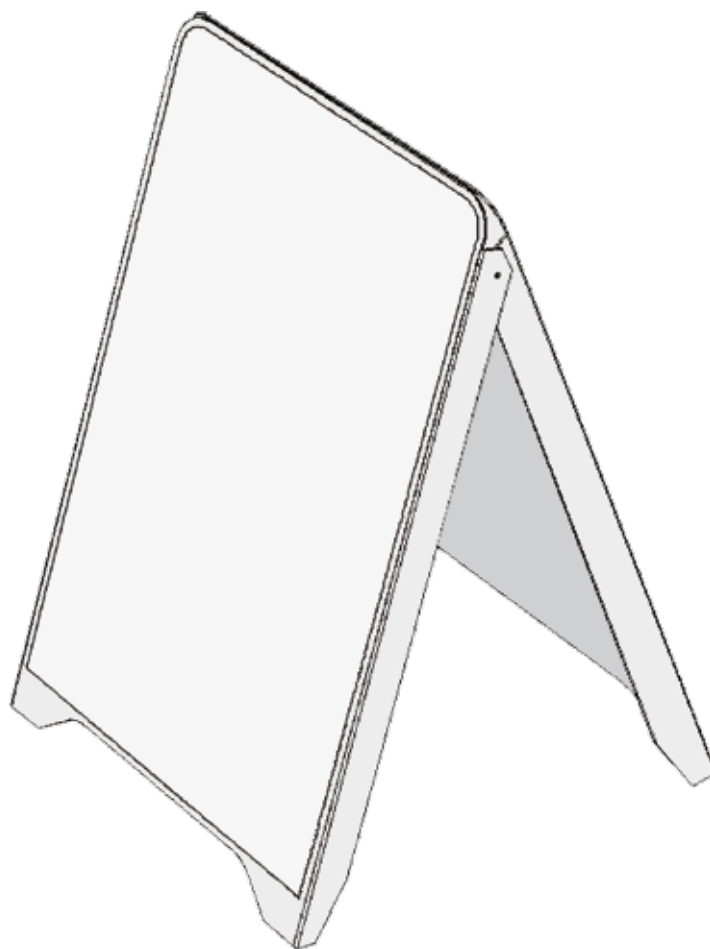
Technical Guide



GB Display made of 4 mm white PS.
Visual area is 48 x 81,5 cm on both sides.
For inkjet printing, folio or serigraphy.
For indoor use.

PT Cavalete feito em PS branco de 4 mm de espessura.
Area visual é de 48 x 81,5 cm em ambos os lados.
Para colocação de imagem em impressão ou serigrafia.

Para uso interno.



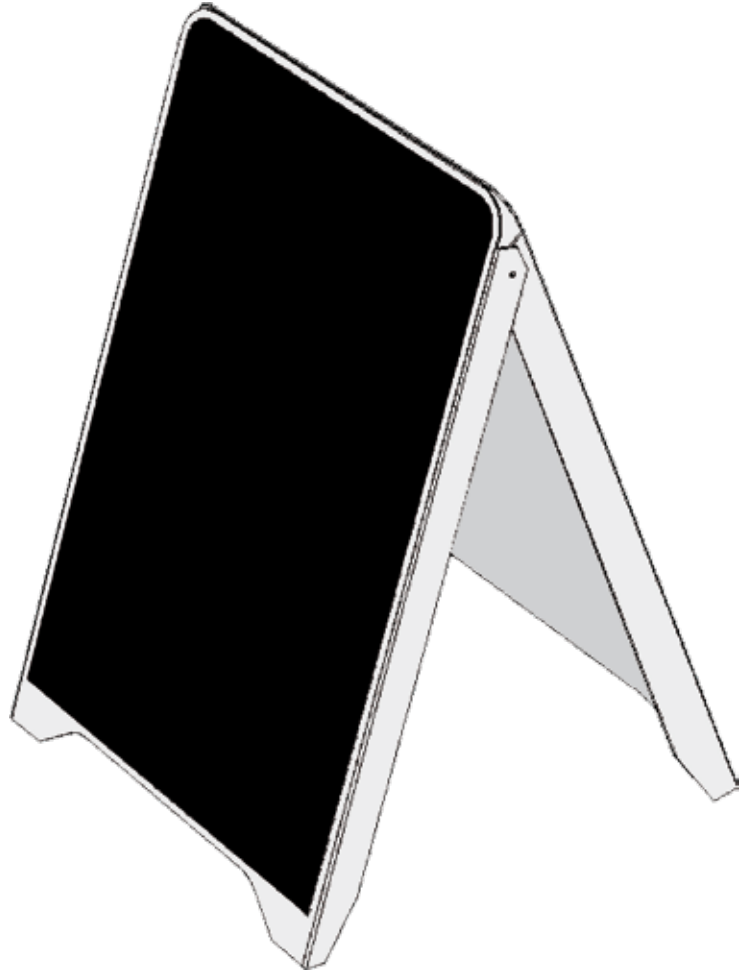
Art.no.	Printing area	Colour	Total W x H x D	Package Size	- weight	Pallet size	- quantity
6150	48 x 81,5 cm	White	50 x 88 x 64 cm	53 x 91 x 8 cm	4,3 kg	80 x 120 x 220 cm	36 pcs.

PS Display with Blackboard

Technical Guide



GB Display made of 4 mm PS with chalkboard for writing with chalk or Wood-Line markers. Visual area is 48 x 81,5 cm on both sides. For indoor use.

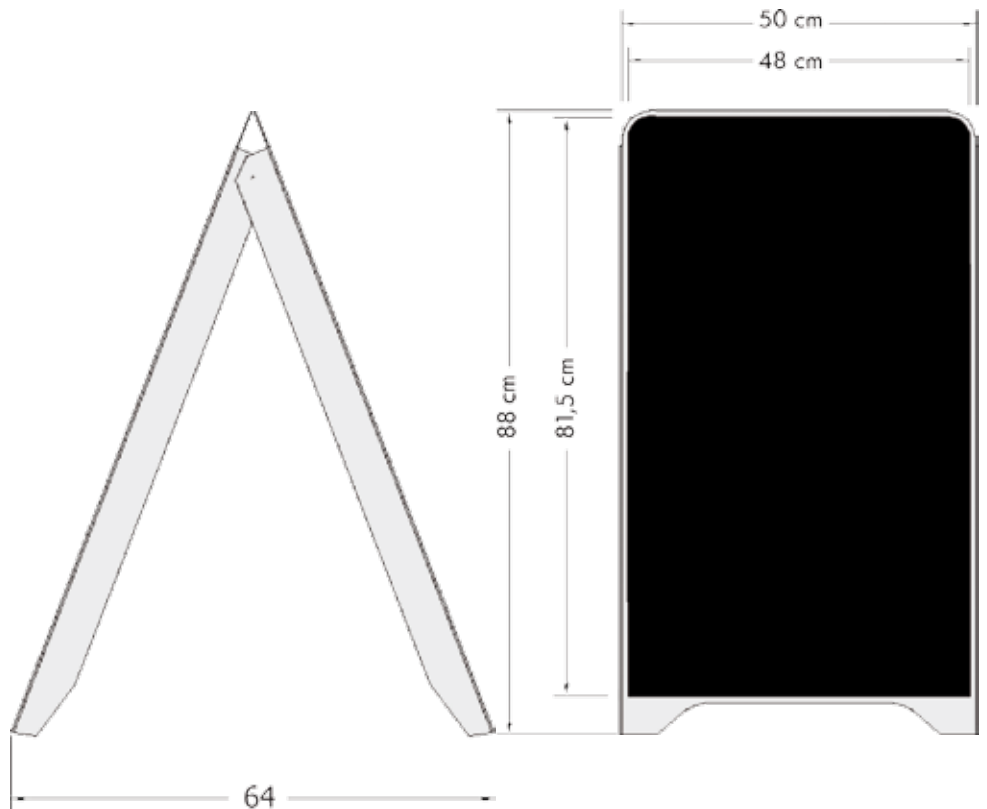
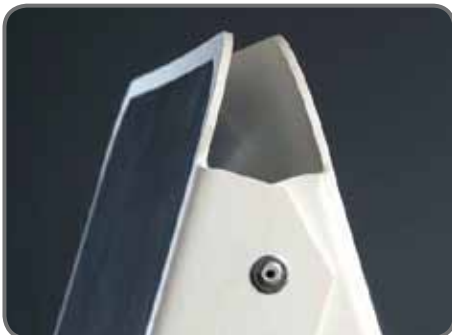


PT Cavalete feito em PS de 4 mm espessura com quadro para escrever com giz ou marcadores. Area visual é de 48 x 81,5 cm em ambos os lados. Para uso interno.

Look for
Model 238
Model 239



Look under spare parts for
Art. 3981



Art. No.	Poster Size	Color	Total W x H x D	Package Size	- Weight	Pallet Size	- Quantity
6149	48 x 81,5 cm	White/black	50 x 88 x 64 cm	53 x 91 x 8 cm	4,3 kg	80 x 120 x 220 cm	36 pcs.

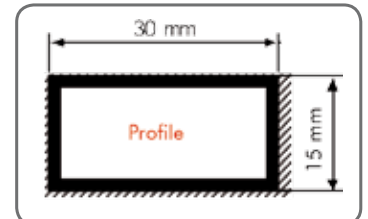
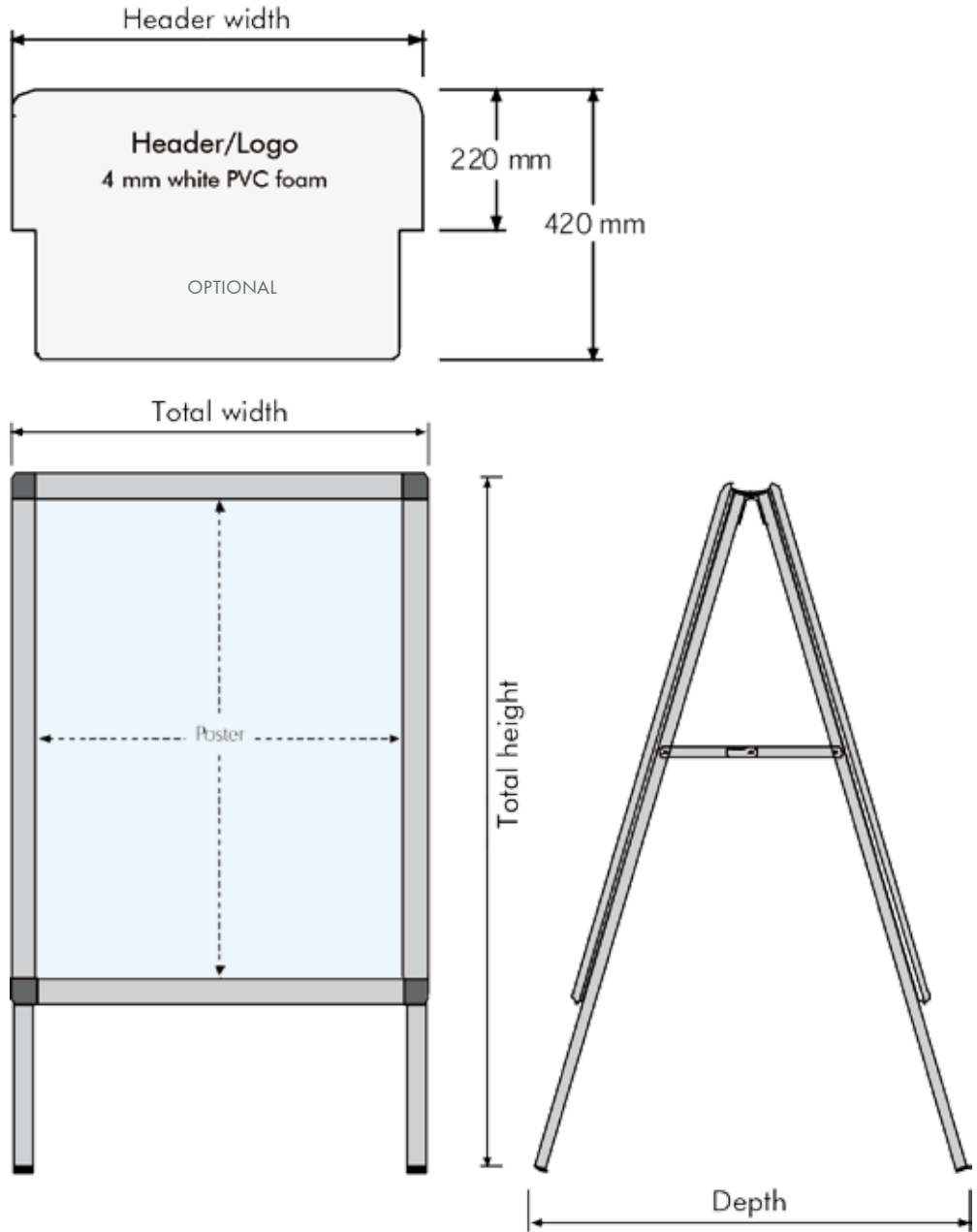
Alu-Line Elox Rondo

Technical Guide



GB Pavement board with 32 mm Alu Snap-Frames, silver anodized, round corners, galvanized steel backsheets. Mounted on 15 x 30 mm square alu tubes. Non-corrosive. Anti-reflex APET front panels.

PT Perfil com 32 milímetros em alumínio anodizado sistema clic, cantos arredondados, articulação galvanizada aço. Quadros montados em tubo quadrado de alumínio com 15 x 30 mm não corrosivo. Frente anti-reflexo APET para protecção de painéis.



Art.no.	Poster size	Colour	Total W x H x D	Header/logo	Package Size	- weight	Pallet size	- quantity
5998R	42 x 59,4 cm	A2	Alu/Silver	46,2 x 91 x 68 cm	46 x 22 cm	49 x 100 x 9 cm 6,1 kg	80 x 120 x 220 cm	29 pcs.
6000R	50 x 70 cm		Alu/Silver	54,2 x 91 x 68 cm	54 x 22 cm	58 x 96 x 9 cm 8,7 kg	80 x 120 x 220 cm	22 pcs.
6002R	59,4 x 84,1 cm	A1	Alu/Silver	63,6 x 110 x 78 cm	64 x 22 cm	66 x 121 x 10 cm 10,4 kg	80 x 120 x 220 cm	18 pcs.
6001R	70 x 100 cm		Alu/Silver	74,2 x 120 x 83 cm	74 x 22 cm	84 x 132 x 11 cm 13,7 kg	90 x 140 x 220 cm	18 pcs.
5999R	84,1 x 119 cm	A0	Alu/Silver	88,3 x 140 x 88 cm	89 x 22 cm	93 x 152 x 11 cm 17,1 kg	90 x 140 x 220 cm	10 pcs.

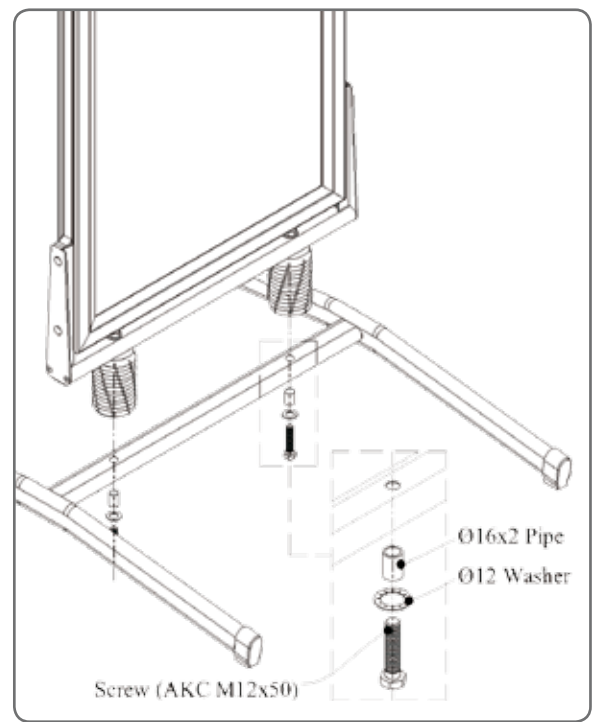
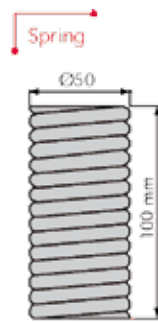
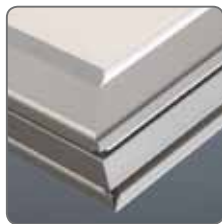
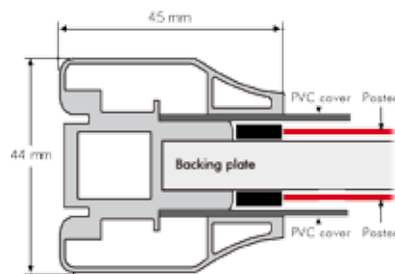
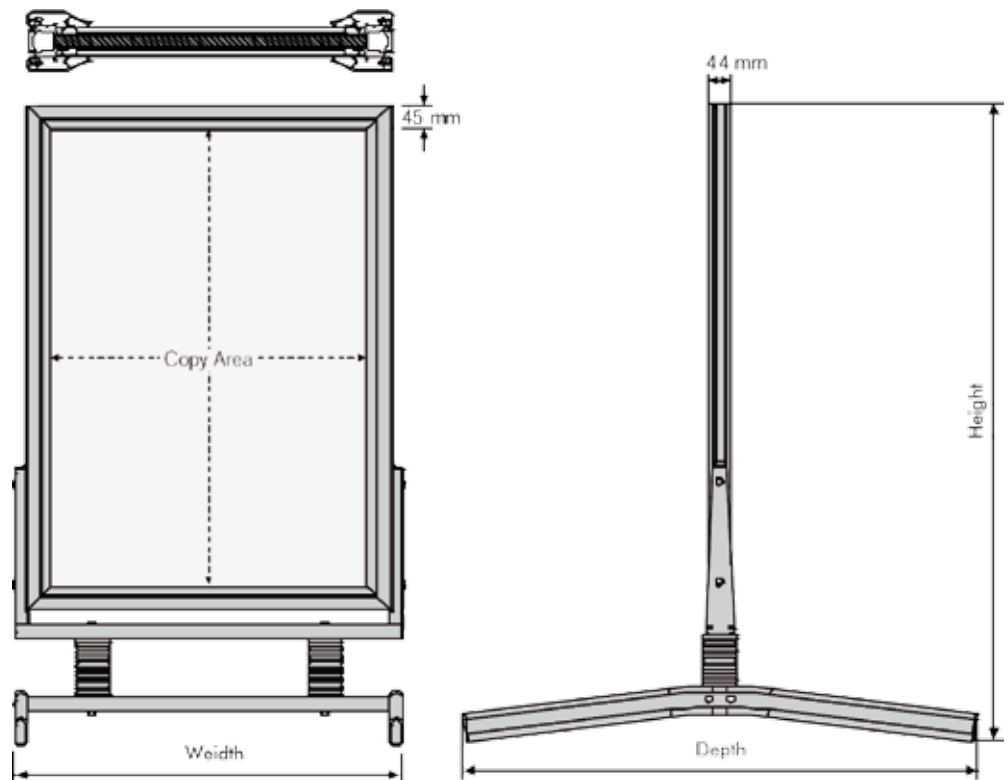
Wind-Line Lux

Technical Guide



GB Quality product produced in 45 mm silver anodized Alu Snap-Frames with mitred corners. APET anti-reflex front panels. Mounted with black rubber to protect the poster from water. Springs are made of steel and the feet are galvanized (powder coated RAL 9006). Storm proof.

PT Produzido em alumínio de 45 mm, anodizado prata, quadros clic, com cantos em esquadria. Frente anti-reflexo APET para protecção de painéis. Envolvido com borracha preta para proteger o cartaz da água. As molas são feita de aço e os pés são galvanizados (pó RAL 9006). À prova de intempéries.



Art.no.	Poster size	- visible part	Colour	Total W x H x D	Package Size	- weight	Pallet size	- quantity
4657	50 x 70 cm	48,2 x 68,2 cm	Alu/Silver	61,2 x 101 x 80 cm	65 x 110 x 12 cm	12,5 kg	80 x 120 x 220 cm	20 pcs.
4655	59,4 x 84,1 cm A1	57,6 x 82,3 cm	Alu/Silver	70,6 x 115 x 90 cm	80 x 120 x 12 cm	14,5 kg	80 x 120 x 220 cm	18 pcs.
4658	70 x 100 cm	68,2 x 98,2 cm	Alu/Silver	81,2 x 131 x 100 cm	85 x 130 x 12 cm	17,5 kg	80 x 120 x 220 cm	18 pcs.
4656	84,1 x 119 cm A0	82,3 x 117,1 cm	Alu/Silver	95,3 x 150 x 100 cm	100 x 150 x 12 cm	20,0 kg	100 x 120 x 220 cm	15 pcs.
4659	100 x 140 cm	98,2 x 138,2 cm	Alu/Silver	111,2 x 171 x 110 cm	120 x 170 x 12 cm	26,0 kg	120 x 120 x 220 cm	15 pcs.